

Bimetal thermometer For sanitary applications Model TG58SA

WIKA data sheet TM 58.01



For further approvals,
see page 7

Applications

- Hygienic temperature measurement in sanitary applications for the food industry and also biotech, pharmaceutical and cosmetics industries
- Mechanical temperature indication on pipelines, heat exchangers, bioreactors, tanks and mobile vessels
- Temperature indication during cleaning and sterilisation

Special features

- Safety through mechanical temperature indication
- Easy cleanability due to case and wetted parts in hygienic design
- Easy zero point setting
- High overtemperature resistance

Description

The model TG58SA bimetal thermometer has been specifically designed for the requirements of sanitary applications.

The purely mechanical temperature transmission functions via a bimetal coil in the stem. For applications that require a measurement needing no auxiliary power, e.g. with mobile vessels, the TG58SA with case filling is particularly suitable.

On the back of the case, the zero point can be easily corrected.

The stem with its semi-spherical base, in conjunction with the aseptic process connections (e.g. clamp, VARINLINE®), enables a dead-space free connection to the process.



Fig. left: back mount
Fig. right: lower mount

Configurator



Standard article



The TG58SA in hygienic design can be used for CIP (cleaning in place) and SIP (sterilisation in place) and in wash-down areas. The measuring instrument can thus be cleaned reliably and time-efficiently.

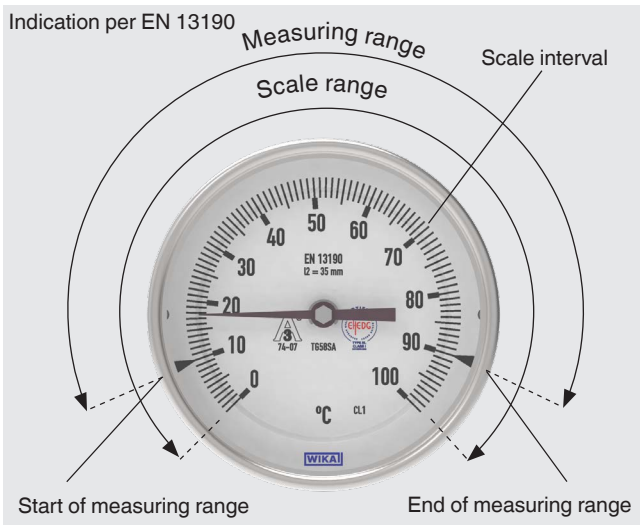
Especially for SIP applications, the thermometer shows a high overtemperature resistance and thus ensures a safe temperature measurement.

A variety of corresponding certification and documentation packages are available for GMP-compliant documentation. These include, for example, material proof or a list of single measured values.

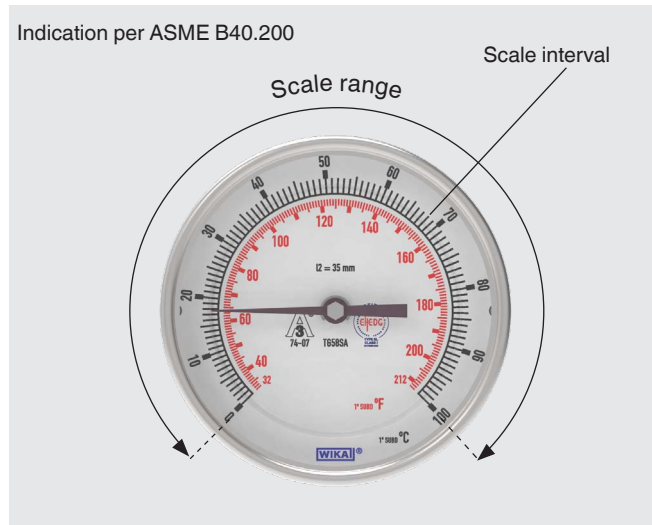
Specifications

Definition of measuring range and scale range

Indication per EN 13190

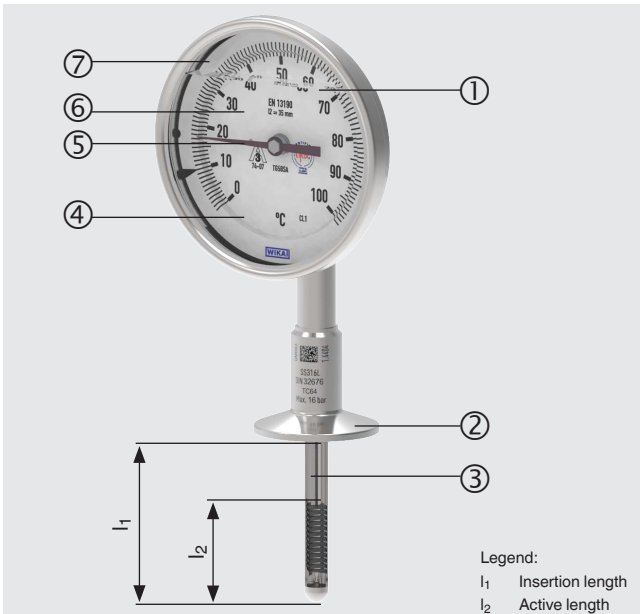


Indication per ASME B40.200



The limits of the measuring range are indicated on the dial by two triangular marks. Only within this range is the stated error limit valid per EN 13190

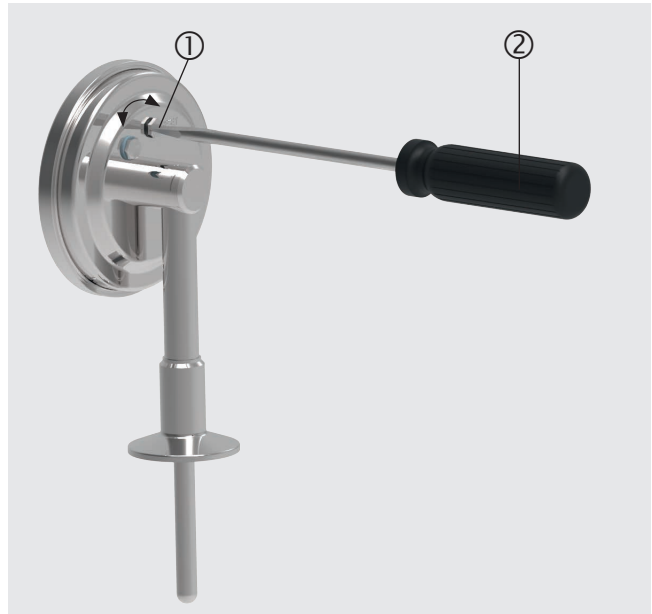
Detail view of the individual parts and the insertion length / active length



- ① Fill fluid (use with vibrations)
- ② Process connection (wetted)
- ③ Stem (wetted)
- ④ Dished dial to avoid parallax errors when reading
- ⑤ Pointer
- ⑦ Dial
- ⑧ Window

Legend:
 l_1 Insertion length
 l_2 Active length

Easy zero point setting



- ① Zero point setting
- ② Screwdriver

Always immerse the active length completely in the process medium to achieve an optimum measuring result and minimise measured errors.

Basic information	
Standard	EN 13190 or ASME B40.200
Nominal size (NS) in mm ["]	<ul style="list-style-type: none"> ■ 63 [2.5] ■ 80 [3] ■ 100 [4] ■ 130 [6]
Window	<ul style="list-style-type: none"> ■ UV-resistant polycarbonate (shatterproof) ■ Instrument glass
Connection location	<ul style="list-style-type: none"> ■ Back mount (axial) ■ Lower mount (radial)
Damping, case filling	<ul style="list-style-type: none"> ■ Without ■ FDA-approved silicone oil (see 21 CFR 173.340 and 177.1210)
Material (in contact with the environment)	
Case, ring	Stainless steel 304
Elbow behind the case (only with lower mount)	Stainless steel 304
Wetted parts	
Material	Stainless steel 1.4404 (316L): UNS S31603; welding filler: 1.4576 (318L): UNS S31803
Surface finish quality	<ul style="list-style-type: none"> ■ $Ra \leq 0.51 \mu\text{m}$ [20 μin] per ASME BPE SF1 ■ $Ra \leq 0.38 \mu\text{m}$ [15 μin], electropolished, per ASME BPE SF4

Measuring element	
Type of measurement principle	Bimetal coil → See technical information IN 00.07
Nominal effective range	
Constant loading (1 year)	Measuring range (EN 13190) After the specified constant loading, a calibration is recommended

Accuracy specifications	
Accuracy	<ul style="list-style-type: none"> ■ Class 1 per EN 13190 ■ Grade A per ASME B40.200

Scale range in °C	Measuring range ¹⁾ in °C	Scale interval in °C	Error limit per EN13190 Cl.1	Error limit per ASME B40.200 Grade A	Overtemperature resistance (only in non-hazardous areas)	CIP- and SIP-compatible (cleaning at 150 °C)
-50 ... +50	-40 ... +40	1	± 1 °C	± 1 °C	Max. 100 °C	-
-20 ... +120	0 ... 100	2	± 2 °C	± 1.4 °C	Max. 240 °C	x
-10 ... +50	0 ... 40	1	± 1 °C	± 0.6 °C	Max. 100 °C	-
-10 ... +100	0 ... 90	1	± 1 °C	± 1.1 °C	Max. 100 °C	-
0 ... 60	10 ... 50	1	± 1 °C	± 0.6 °C	Max. 120 °C	-
0 ... 80	10 ... 70	1	± 1 °C	± 0.8 °C	Max. 160 °C	x
0 ... 100	10 ... 90	1	± 1 °C	± 1 °C	Max. 200 °C	x
0 ... 120	10 ... 110	2	± 2 °C	± 1.2 °C	Max. 240 °C	x
0 ... 150	20 ... 130	2	± 2 °C	± 1.5 °C	Max. 225 °C	x
0 ... 200	20 ... 180	2	± 2 °C	± 2 °C	Max. 300 °C	x

Scale range in °F	Measuring range ¹⁾ in °F	Scale interval in °F	Error limit per EN13190 Cl.1	Error limit per ASME B40.200 Grade A	Overtemperature resistance (only in non-hazardous areas)	CIP- and SIP-compatible (cleaning at 150 °C)
-40 ... +120	-20 ... +100	2	±2 °F	±1.6 °F	Max. 180 °F	-
0 ... 140	20 ... 120	2	±2 °F	±1.4 °F	Max. 210 °F	-
0 ... 200	20 ... 180	2	±2 °F	±2 °F	Max. 300 °F	x
0 ... 250	30 ... 220	5	±2 °F	±2.5 °F	Max. 375 °F	x
20 ... 240	0 ... 190	2	±2 °F	±2.6 °F	Max. 360 °F	x
30 ... 400	80 ... 350	5	±2 °F	±2.7 °F	Max. 600 °F	x
50 ... 300	100 ... 250	5	±2 °F	±2.5 °F	Max. 450 °F	x

1) The limits of the measuring range are indicated on the dial by two triangular marks. Only within this range is the stated error limit valid per EN 13190.

Further details on: Scale range

Unit		<input type="checkbox"/> °C <input type="checkbox"/> °F <input type="checkbox"/> °C/°F (dual scale) <input type="checkbox"/> °F/°C (dual scale)
Overtemperature resistance		
Full-scale indication value ≥ 50 °C [120 °F] ... ≤ 120 °C [250 °F]		+ 100 % overload safety in relation to the full-scale indication value
Full-scale indication value > 120 °C [250 °F] ... ≤ 200 °C [400 °F]		+ 50 % overload safety in relation to the full-scale indication value
Dial		
Scale graduation		<input type="checkbox"/> Single scale <input type="checkbox"/> Dual scale
Scale colour		Single scale
		Black
		Dual scale
		Outer scale: black Inner scale: red → Others on request
Material		Aluminium
Pointer		
Instrument pointer		Aluminium, black

Process connection

Type of process connection		<input type="checkbox"/> Clamp connection <input type="checkbox"/> DIN 11864-1, liner with grooved union nut <input type="checkbox"/> DIN 11864-2, aseptic flange with notch <input type="checkbox"/> DIN 11864-3, clamp with notch <input type="checkbox"/> VARINLINE®
Size		
Clamp connection (dimensions per ASME BPE, DIN 32676 and ISO 2852)		<input type="checkbox"/> DN 25 <input type="checkbox"/> DN 32 <input type="checkbox"/> DN 40 <input type="checkbox"/> DN 50 <input type="checkbox"/> DN 21.3 <input type="checkbox"/> DN 26.9 <input type="checkbox"/> DN 33.7 <input type="checkbox"/> DN 42.4 <input type="checkbox"/> DN 48.3 <input type="checkbox"/> DN 60.3 <input type="checkbox"/> DN ¾" <input type="checkbox"/> DN 1" <input type="checkbox"/> DN 1 ½" <input type="checkbox"/> DN 2" <input type="checkbox"/> DN 2 ½"



Process connection	
DIN 11864-1, liner with grooved union nut	<ul style="list-style-type: none"> ■ DN 25 ■ DN 32 ■ DN 40 ■ DN 26.9 ■ DN 33.7 ■ DN 42.4 ■ DN 48.3 ■ DN 1" ■ DN 1 ½" ■ DN 2"
DIN 11864-2, aseptic flange with notch	<ul style="list-style-type: none"> ■ DN 15 ■ DN 20 ■ DN 25 ■ DN 32 ■ DN 40 ■ DN 50 ■ DN 17.2 ■ DN 21.3 ■ DN 26.9 ■ DN 33.7 ■ DN 42.4 ■ DN 48.3 ■ DN ¾" ■ DN 1" ■ DN 1 ½" ■ DN 2"
DIN 11864-3, clamp with notch	<ul style="list-style-type: none"> ■ DN 15 ■ DN 20 ■ DN 25 ■ DN 32 ■ DN 40 ■ DN 50 ■ DN 65 ■ DN 17.2 ■ DN 21.3 ■ DN 26.9 ■ DN 33.7 ■ DN 42.4 ■ DN 48.3 ■ DN 60.3 ■ DN ¾" ■ DN 1" ■ DN 1 ½" ■ DN 2" ■ DN 2 ½"
VARINLINE®	<ul style="list-style-type: none"> ■ Form F ■ Form N <p>→ Others on request</p>
Stem	
Diameter	<ul style="list-style-type: none"> ■ 9.53 mm [⅜ in] ■ 6.35 mm [¼ in]
Material (wetted)	Stainless steel 316L

Operating conditions	
Ambient temperature range (at the case)	-20 ... +60 °C [-4 ... +140 °F]
Storage temperature range	-50 ... +70 °C [-60 ... +160 °F]
Cleaning and sterilisation (CIP and SIP)	150 °C [302 °F] continuously for wetted parts
Max. operating pressure at stem	16 bar [232 psi] to max. 40 bar [580 psi], dependent on process connection
Ingress protection (IP code) per IEC/EN 60529	<ul style="list-style-type: none"> ■ IP66 ■ IP67 ■ NEMA 4X/6
Insertion length l_1	30 ... 300 mm [1.18 ... 11.81 in]
	Minimum insertion length is dependent upon scale range, connection location and diameter → See table on page 6


Minimum insertion length l_1 in mm [in]				
Scale range in °C	Back mount		Lower mount	
	Ø 6.35 [¼]	Ø 9.52 [¾]	Ø 6.35 [¼]	Ø 9.52 [¾]
-50 ... +50	60 [2.36]	50 [1.97]	60 [2.17]	50 [1.97]
-20 ... +120	45 [1.77]	40 [1.57]	45 [1.77]	40 [1.57]
-10 ... +50	95 [3.74]	70 [2.76]	95 [3.74]	70 [2.76]
-10 ... +100	55 [2.17]	40 [1.57]	55 [2.17]	40 [1.57]
0 ... 60	90 [3.54]	75 [2.96]	90 [3.54]	75 [2.96]
0 ... 80	70 [2.76]	60 [2.36]	70 [2.76]	60 [2.36]
0 ... 100	60 [2.36]	50 [1.97]	60 [2.36]	45 [1.77]
0 ... 120	50 [1.97]	45 [1.77]	50 [1.97]	45 [1.77]
0 ... 150	40 [1.57]	40 [1.57]	40 [1.57]	40 [1.57]
0 ... 200	35 [1.38]	30 [1.18]	35 [1.38]	30 [1.18]

Minimum insertion length l_1 in mm [in]				
Scale range in °F	Back mount		Lower mount	
	Ø 6.35 [¼]	Ø 9.52 [¾]	Ø 6.35 [¼]	Ø 9.52 [¾]
-40 ... +120	65 [2.56]	55 [2.17]	65 [2.56]	55 [2.17]
0 ... 140	70 [2.76]	60 [2.36]	70 [2.76]	60 [2.36]
0 ... 200	50 [1.97]	45 [1.77]	50 [1.97]	45 [1.77]
0 ... 250	45 [1.77]	40 [1.57]	45 [1.77]	40 [1.57]
20 ... 240	55 [2.17]	40 [1.57]	55 [2.17]	40 [1.57]
30 ... 400	35 [1.38]	30 [1.18]	35 [1.38]	30 [1.18]
50 ... 300	45 [1.77]	40 [1.57]	45 [1.77]	40 [1.57]

Approvals

Logo	Description	Region
	3-A Hygienic design This instrument is 3-A marked, based on a third party verification for conformance to the 3-A standard 74.	USA
	EHEDG Hygienic design EL Class I Closed equipment, wet in place cleaning (CIP) without dismantling	International

Optional approvals

Logo	Description	Region
	EU declaration of conformity ATEX directive Hazardous areas - Ex h Zone 1 gas II 2G Ex h IIC T6 ... T1 Gb X Zone 21 dust II 2D Ex h IIIC T85 ... T450 °C Db X	European Union

Manufacturer's information and certificates

Logo	Description
-	Manufacturer's declaration regarding regulation (EC) no. 1935/2004; Good Manufacturing Practice (EC) no. 2023/2006 (GMP)
-	Manufacturer's declaration GB 4806.1-2016 China National Food Safety Standard – Good Manufacturing Practice GB 31603-2015 (GMP)

Certificates

Certificates	
Certificates	<ul style="list-style-type: none"> ■ 2.2 test report per EN 10204 (e.g. state-of-the-art manufacturing, material proof, indication accuracy, free from substances of animal origin) ■ 3.1 inspection certificate per EN 10204 (e.g. material proof for wetted metal parts, indication accuracy)
Certification packages	
Food	<ul style="list-style-type: none"> ■ 2.2 confirmation of the class and indication accuracy ■ 3.1 inspection certificate for wetted metal parts EC1935/2004
Pharma	<ul style="list-style-type: none"> ■ 3.1 inspection certificate with 3 test points ■ 3.1 inspection certificate for wetted metal parts ■ 2.2 test report: state of the art EC1935/2004 ■ 2.2 test report: surface finish quality of wetted metal parts free from substances of animal origin (ADI-free)

→ For approvals and certificates, see website

Dimensions in mm [in]

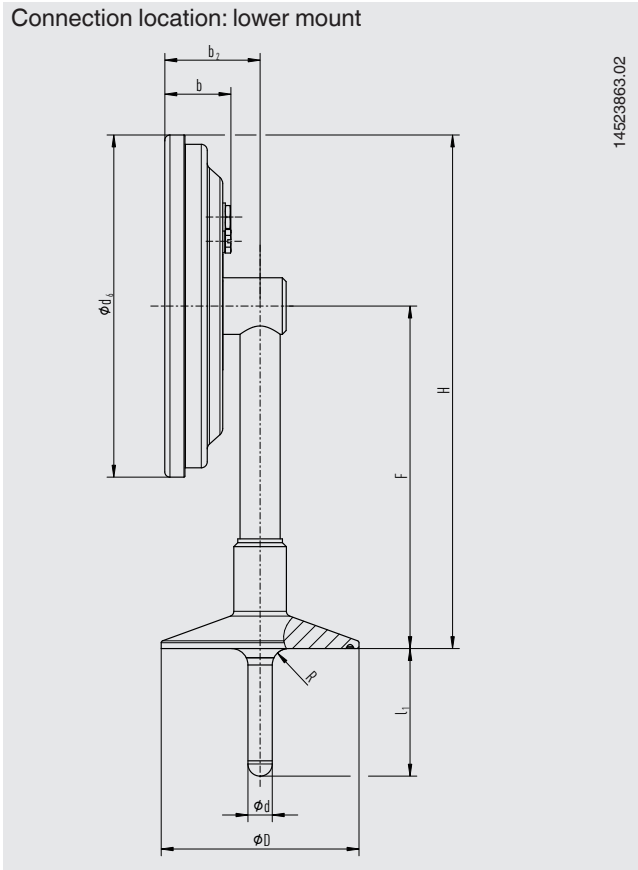
Legend:

b	Case incl. zero point adjustment screw	l_1	Insertion length
$\varnothing d$	Stem diameter	F_1	DN grooved union nut F per DIN 11851
$\varnothing d_1, \varnothing d_3, \varnothing d_5$	Outer diameter of groove	G_1	Female thread of grooved union nut
$\varnothing d_2$	Outer diameter of flange	h	Flange height
$\varnothing d_4$	Diameter of flange bore	h_1	Height of flange incl. grooved union nut
$\varnothing d_6$	Outer diameter of crimp ring	R	Radius of flange
$\varnothing D$	Outer diameter of flange		
k	Height of union nut		
$\varnothing K$	Pitch circle diameter, flange holes		

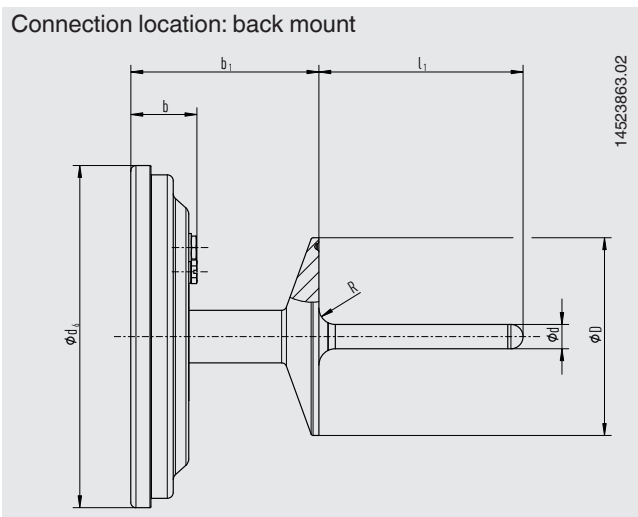
Clamp connection

Dimensions per ASME BPE, DIN 32676 and matched to ISO 2852 (withdrawn)

Connection location: lower mount



Connection location: back mount



Size	Dimensions in mm [in]		Matched to clamp connection in accordance with				Max. operating pressure at stem up to 200°C [392 °F]
	D	R	DIN 32676 row A	DIN 32676 row B	ASME BPE, DIN 32676 row C	ISO 2852 ¹⁾	
TC50	50.5 [1.99]	3.2 [0.13]	-	21.3	-	-	25 bar [362 psi]
TC50	50.5 [1.99]	6.4 [0.25]	<ul style="list-style-type: none"> ■ DN 25 ■ DN 32 ■ DN 40 	<ul style="list-style-type: none"> ■ DN 21.3 ■ DN 26.9 ■ DN 33.7 	<ul style="list-style-type: none"> ■ DN 1" ²⁾ ■ DN 1 ½" 	<ul style="list-style-type: none"> ■ DN 25 ■ DN 33.7 ■ DN 38 	25 bar [362 psi]
TC64	64 [2.52]	6.4 [0.25]	DN 50	<ul style="list-style-type: none"> ■ DN 42.4 ■ DN 48.3 	DN 2"	<ul style="list-style-type: none"> ■ DN 40 ■ DN 51 	16 bar [232 psi]
TC77	77.5 [3.16]	6.4 [0.25]	-	DN 60.3	DN 2 ½"	DN 63.5	16 bar [232 psi]

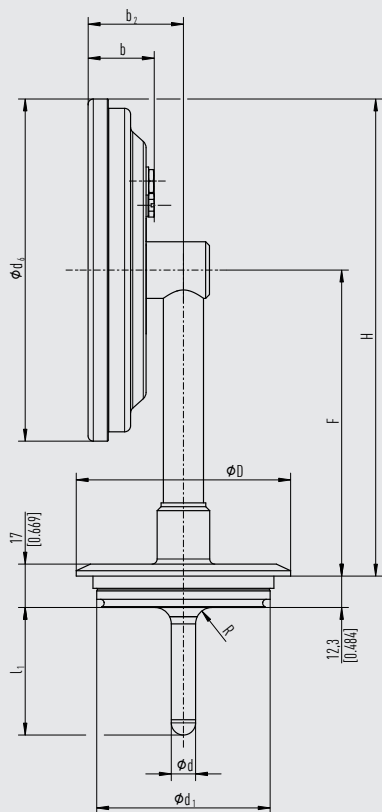
1) Withdrawn

2) Dimensions per ASME BPE DT-7-1 type B and DIN 32676 row C

NS in mm ["]	Dimensions in mm [in]				
	d ₆	F	H	b	b ₁
63 [2]	69.7 [2.74]	102.1 [4.02]	136.9 [5.39]	26.95 [1.06]	74.75 [2.94]
80 [3]	83.5 [3.29]	108.95 [4.29]	150.7 [5.93]	26.2 [1.03]	74 [2.91]
100 [4]	106.9 [4.21]	120.65 [4.75]	174.1 [6.85]	26.83 [1.06]	74.63 [2.94]
130 [5]	134.1 [5.28]	134.25 [5.29]	201.3 [7.93]	26 [1.02]	73.8 [2.91]

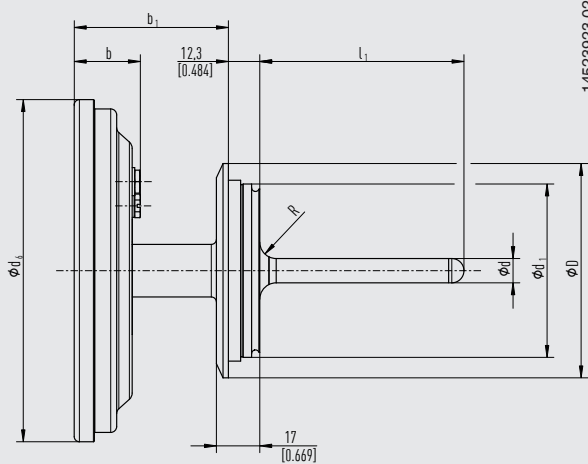
VARINLINE® form F and N

Connection location: lower mount



14523923.02

Connection location: back mount



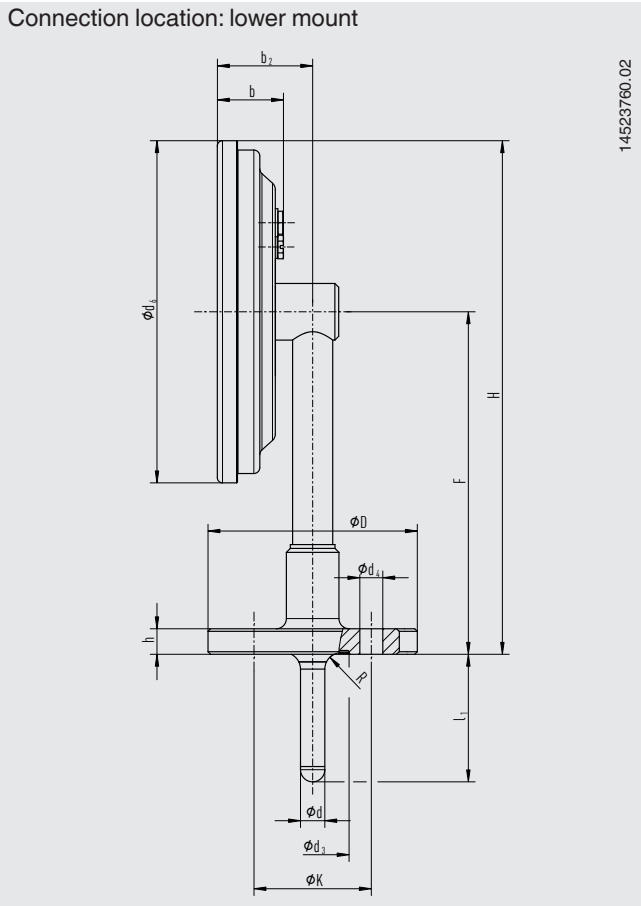
14523923.02

Size	Dimensions in mm ["]				Max. operating pressure at stem up to 200 °C [392 °F]
	d	d ₁	D	R	
Form F	■ 6.35 [1/4]	49.95 [1.97]	66 [2.60]	6.4 [0.25]	25 bar [362 psi]
	■ 9.52 [3/8]				
Form N	■ 6.35 [1/4]	67.95 [2.68]	84 [3.31]	6.4 [0.25]	25 bar [362 psi]
	■ 9.52 [3/8]				

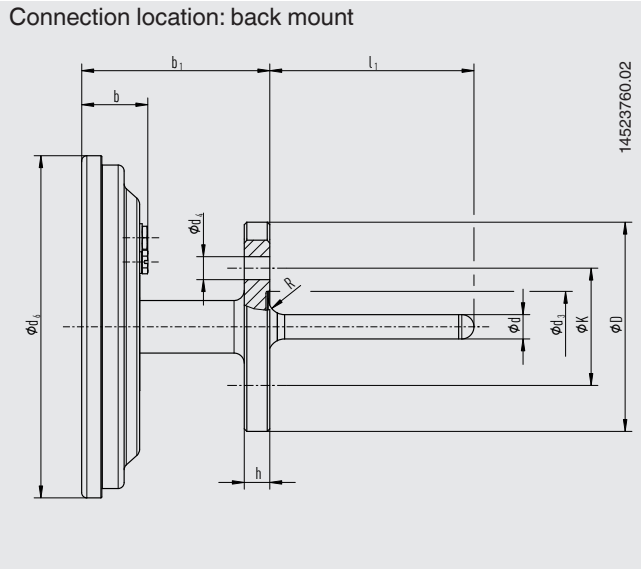
NS in mm ["]	Dimensions in mm [in]					
	d ₆	F	H	b	b ₁	b ₂
63 [2]	69.7 [2.74]	102.1 [4.02]	136.9 [5.39]	26.95 [1.06]	-	38.39 [1.51]
80 [3]	83.5 [3.29]	108.95 [4.29]	150.7 [5.93]	26.2 [1.03]	74 [2.91]	37.64 [1.48]
100 [4]	106.9 [4.21]	120.65 [4.75]	174.1 [6.85]	26.83 [1.06]	74.63 [2.94]	38.27 [1.51]
130 [5]	134.1 [5.28]	134.25 [5.29]	201.3 [7.93]	26 [1.02]	73.8 [2.91]	37.36 [1.47]

Flanges per DIN 11864-2, aseptic flange with notch

Connection location: lower mount



Connection location: back mount

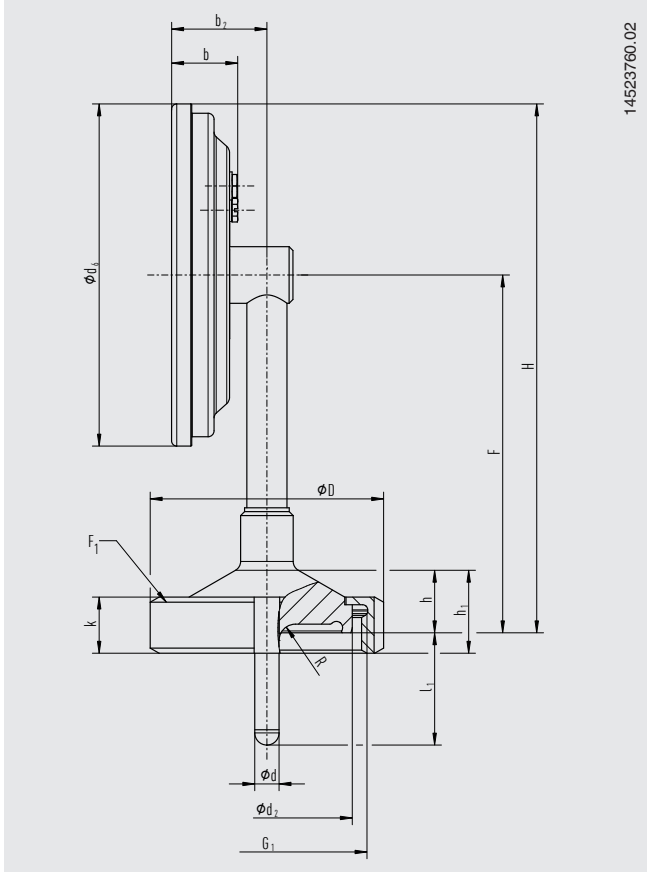


Size	Dimensions in mm [in]							Max. operating pressure at stem up to 200 °C [392 °F]
	d	D	h	d ₃	d ₄	K	R	
DN 15	6.35 [1/4] or 9.52 [3/8]	59 [2.32]	10 [0.39]	28.4 [1.12]	9 [0.35]	42 [1.65]	3.2 [0.13]	25 bar [362 psi]
DN 20	6.35 [1/4] or 9.52 [3/8]	64 [2.52]	10 [0.39]	32.4 [1.28]	9 [0.35]	47 [1.85]	6.4 [0.25]	25 bar [362 psi]
DN 25	6.35 [1/4] or 9.52 [3/8]	70 [2.76]	10 [0.39]	38.4 [1.51]	9 [0.35]	53 [2.09]	6.4 [0.25]	25 bar [362 psi]
DN 32	6.35 [1/4] or 9.52 [3/8]	76 [2.99]	10 [0.39]	47.7 [1.88]	9 [0.35]	59 [2.32]	6.4 [0.25]	25 bar [362 psi]
DN 40	6.35 [1/4] or 9.52 [3/8]	82 [3.23]	10 [0.39]	53.7 [2.11]	9 [0.35]	65 [2.56]	6.4 [0.25]	25 bar [362 psi]
DN 50	6.35 [1/4] or 9.52 [3/8]	94 [3.70]	10 [0.39]	65.7 [2.59]	9 [0.35]	77 [3.03]	6.4 [0.25]	16 bar [232 psi]
DN 17.2	6.35 [1/4] or 9.52 [3/8]	59 [2.32]	10 [0.39]	26.4 [1.04]	9 [0.35]	42 [1.65]	3.2 [0.13]	25 bar [362 psi]
DN 21.3	6.35 [1/4] or 9.52 [3/8]	62 [2.44]	10 [0.39]	30.4 [1.20]	9 [0.35]	45 [1.77]	3.2 [0.13]	25 bar [362 psi]
DN 26.9	6.35 [1/4] or 9.52 [3/8]	69 [2.72]	10 [0.39]	36.1 [1.42]	9 [0.35]	52 [2.05]	6.4 [0.25]	25 bar [362 psi]
DN 33.7	6.35 [1/4] or 9.52 [3/8]	74 [2.91]	10 [0.39]	45.4 [1.79]	9 [0.35]	57 [2.24]	6.4 [0.25]	25 bar [362 psi]
DN 42.4	6.35 [1/4] or 9.52 [3/8]	82 [3.23]	10 [0.39]	54.1 [2.13]	9 [0.35]	65 [2.56]	6.4 [0.25]	16 bar [232 psi]
DN 48.3	6.35 [1/4] or 9.52 [3/8]	88 [3.46]	10 [0.39]	60.0 [2.36]	9 [0.35]	71 [2.80]	6.4 [0.25]	16 bar [232 psi]
DN ¾	6.35 [1/4] or 9.52 [3/8]	59 [2.32]	10 [0.39]	28.4 [1.12]	9 [0.35]	42 [1.65]	3.2 [0.13]	25 bar [362 psi]
DN 1"	6.35 [1/4] or 9.52 [3/8]	66 [2.60]	10 [0.39]	34.4 [1.35]	9 [0.35]	49 [1.93]	6.4 [0.25]	25 bar [362 psi]
DN 1 ½"	6.35 [1/4] or 9.52 [3/8]	79 [3.11]	10 [0.39]	50.5 [1.99]	9 [0.35]	62 [2.44]	6.4 [0.25]	25 bar [362 psi]
DN 2"	6.35 [1/4] or 9.52 [3/8]	92 [3.62]	10 [0.39]	63.5 [2.50]	9 [0.35]	75 [2.95]	6.4 [0.25]	16 bar [232 psi]

NS in mm ["]	Dimensions in mm [in]					
	d ₆	F	H	b	b ₁	b ₂
63 [2]	69.7 [2.74]	102.1 [4.02]	136.9 [5.39]	26.95 [1.06]	74.75 [2.94]	38.39 [1.51]
80 [3]	83.5 [3.29]	108.95 [4.29]	150.7 [5.93]	26.2 [1.03]	74 [2.91]	37.64 [1.48]
100 [4]	106.9 [4.21]	120.65 [4.75]	174.1 [6.85]	26.83 [1.06]	74.63 [2.94]	38.27 [1.51]
130 [5]	134.1 [5.28]	134.25 [5.29]	201.3 [7.93]	26 [1.02]	73.8 [2.91]	37.36 [1.47]

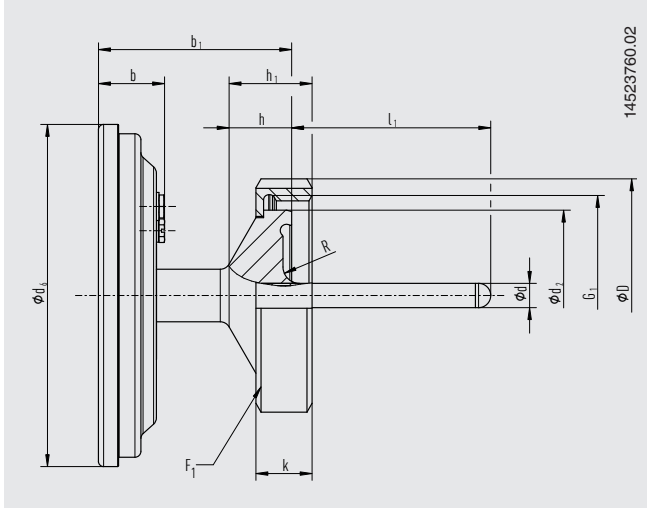
Threaded connection per DIN 11864-1, liner with union nut

Connection location: lower mount



14523760.02

Connection location: back mount



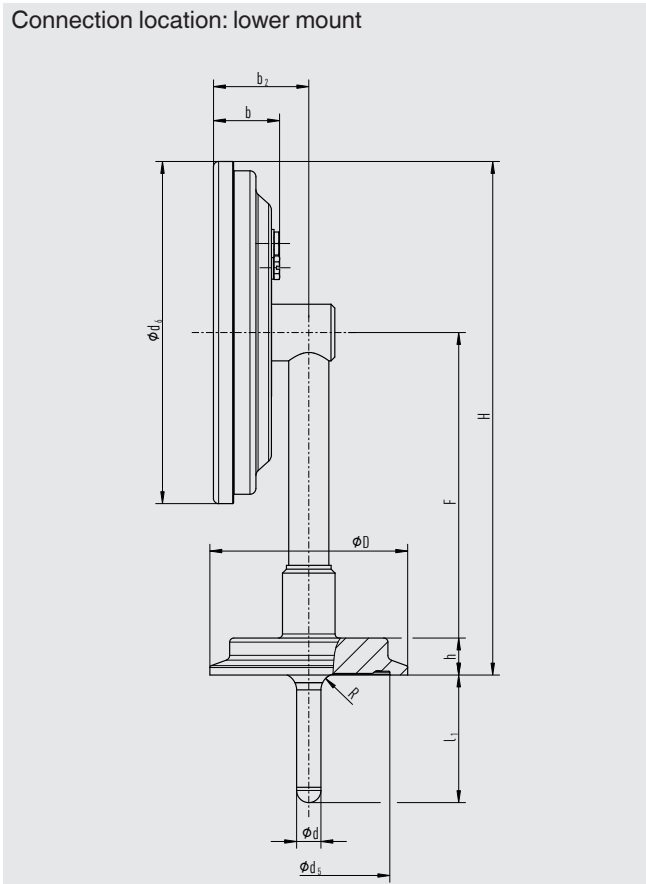
14523760.02

Size	Dimensions in mm [in]									Max. operating pressure at stem up to 200 °C [392 °F]
	d	D	F ₁	k	G ₁	h	d ₂	h ₁	R	
DN 25	■ 6.35 [1/4] ■ 9.52 [3/8]	63 [2.48]	DN 25	21 [0.83]	Rd 52 x 1/6	15.0 [0.59]	42.9 [1.69]	27 [1.06]	6.4 [0.25]	40 bar [580 psi]
DN 32	■ 6.35 [1/4] ■ 9.52 [3/8]	70 [2.76]	DN 32	21 [0.83]	Rd 58 x 1/6	17.8 [0.70]	48.9 [1.92]	28 [1.10]	6.4 [0.25]	40 bar [580 psi]
DN 40	■ 6.35 [1/4] ■ 9.52 [3/8]	78 [3.07]	DN 40	21 [0.83]	Rd 65 x 1/6	19.8 [0.78]	54.9 [2.16]	28 [1.10]	6.4 [0.25]	40 bar [580 psi]
DN 26.9	■ 6.35 [1/4] ■ 9.52 [3/8]	63 [2.48]	DN 25	21 [0.83]	Rd 52 x 1/6	15.0 [0.59]	42.9 [1.69]	27 [1.06]	6.4 [0.25]	40 bar [580 psi]
DN 33.7	■ 6.35 [1/4] ■ 9.52 [3/8]	70 [2.76]	DN 32	21 [0.83]	Rd 58 x 1/6	17.8 [0.70]	48.9 [1.92]	28 [1.10]	6.4 [0.25]	40 bar [580 psi]
DN 42.4	■ 6.35 [1/4] ■ 9.52 [3/8]	78 [3.07]	DN 40	21 [0.83]	Rd 65 x 1/6	19.8 [0.78]	54.9 [2.16]	28 [1.10]	6.4 [0.25]	25 bar [362 psi]
DN 48.3	■ 6.35 [1/4] ■ 9.52 [3/8]	92 [3.62]	DN 50	22 [0.87]	Rd 78 x 1/6	24.5 [0.96]	66.9 [2.63]	30 [1.18]	6.4 [0.25]	25 bar [362 psi]
DN 1"	■ 6.35 [1/4] ■ 9.52 [3/8]	63 [2.48]	DN 25	21 [0.83]	Rd 52 x 1/6	15.0 [0.59]	42.9 [1.69]	27 [1.06]	6.4 [0.25]	40 bar [580 psi]
DN 1 1/2"	■ 6.35 [1/4] ■ 9.52 [3/8]	78 [3.07]	DN 40	21 [0.83]	Rd 65 x 1/6	19.8 [0.78]	54.9 [2.16]	28 [1.10]	6.4 [0.25]	40 bar [580 psi]
DN 2"	■ 6.35 [1/4] ■ 9.52 [3/8]	92 [3.62]	DN 50	22 [0.87]	Rd 78 x 1/6	24.5 [0.96]	66.9 [2.63]	30 [1.18]	6.4 [0.25]	25 bar [362 psi]

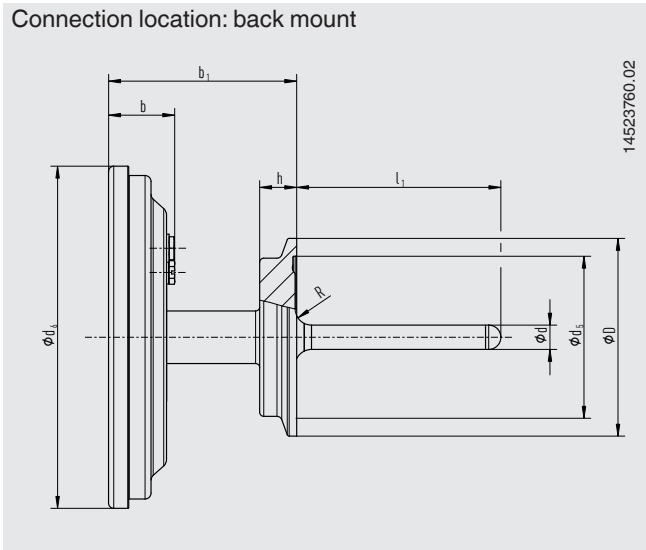
NS in mm ["]	Dimensions in mm [in]					
	d ₆	F	H	b	b ₁	b ₂
63 [2]	69.7 [2.74]	108.05 [4.25]	142.9 [5.63]	26.95 [1.06]	-	38.39 [1.51]
80 [3]	83.5 [3.29]	114.95 [4.53]	156.7 [6.17]	26.2 [1.03]	76 [2.99]	37.64 [1.48]
100 [4]	106.9 [4.21]	126.65 [4.99]	180.1 [7.09]	26.83 [1.06]	76.63 [3.02]	38.27 [1.51]
130 [5]	134.1 [5.28]	140.25 [5.52]	207.3 [8.16]	26 [1.02]	75.8 [2.98]	37.36 [1.47]

Clamp connection per DIN 11864-3, clamp with notch

Connection location: lower mount



Connection location: back mount



Size	Dimensions in mm [in]					Max. operating pressure at stem up to 200 °C [392 °F]
	d	D	h	d ₅	R	
DN 15	6.35 [1/4] or 9.52 [3/8]	34.0 [1.34]	12.0 [0.47]	28.4 [1.12]	3.2 [0.13]	40 bar [580 psi]
DN 20	6.35 [1/4] or 9.52 [3/8]	50.5 [1.99]	12.0 [0.47]	32.4 [1.28]	6.4 [0.25]	40 bar [580 psi]
DN 25	6.35 [1/4] or 9.52 [3/8]	50.5 [1.99]	10.5 [0.41]	38.4 [1.51]	6.4 [0.25]	40 bar [580 psi]
DN 32	6.35 [1/4] or 9.52 [3/8]	50.5 [1.99]	14.0 [0.55]	47.7 [1.88]	6.4 [0.25]	40 bar [580 psi]
DN 40	6.35 [1/4] or 9.52 [3/8]	64.0 [2.52]	14.0 [0.55]	53.7 [2.11]	6.4 [0.25]	40 bar [580 psi]
DN 50	6.35 [1/4] or 9.52 [3/8]	77.5 [3.05]	14.5 [0.57]	65.7 [2.59]	6.4 [0.25]	25 bar [362 psi]
DN 65	6.35 [1/4] or 9.52 [3/8]	91.0 [3.58]	16.5 [0.65]	81.7 [3.22]	6.4 [0.25]	25 bar [362 psi]
DN 17.2	6.35 [1/4] or 9.52 [3/8]	34.0 [1.34]	12.0 [0.47]	26.4 [1.04]	3.2 [0.13]	40 bar [580 psi]
DN 21.3	6.35 [1/4] or 9.52 [3/8]	34.0 [1.34]	13.0 [0.51]	30.4 [1.20]	3.2 [0.13]	40 bar [580 psi]
DN 26.9	6.35 [1/4] or 9.52 [3/8]	50.5 [1.99]	9.0 [0.35]	36.1 [1.42]	6.4 [0.25]	40 bar [580 psi]
DN 33.7	6.35 [1/4] or 9.52 [3/8]	50.5 [1.99]	14.0 [0.55]	45.4 [1.79]	6.4 [0.25]	40 bar [580 psi]
DN 42.4	6.35 [1/4] or 9.52 [3/8]	64.0 [2.52]	14.0 [0.55]	54.1 [2.13]	6.4 [0.25]	25 bar [362 psi]
DN 48.3	6.35 [1/4] or 9.52 [3/8]	64.0 [2.52]	15.0 [0.59]	60.0 [2.36]	6.4 [0.25]	25 bar [362 psi]
DN 60.3	6.35 [1/4] or 9.52 [3/8]	91.0 [3.58]	17.0 [0.67]	72.0 [2.83]	6.4 [0.25]	25 bar [362 psi]
DN ¾	6.35 [1/4] or 9.52 [3/8]	34.0 [1.34]	12.0 [0.47]	28.4 [1.12]	3.2 [0.13]	40 bar [580 psi]
DN 1"	6.35 [1/4] or 9.52 [3/8]	50.5 [1.99]	10.5 [0.41]	34.4 [1.35]	6.4 [0.25]	40 bar [580 psi]
DN 1 ½"	6.35 [1/4] or 9.52 [3/8]	64.0 [2.52]	14.0 [0.55]	50.5 [1.99]	6.4 [0.25]	40 bar [580 psi]
DN 2"	6.35 [1/4] or 9.52 [3/8]	77.5 [3.05]	14.5 [0.57]	63.5 [2.50]	6.4 [0.25]	25 bar [362 psi]
DN 2 ½"	6.35 [1/4] or 9.52 [3/8]	91.0 [3.58]	17.5 [0.69]	75.9 [2.99]	6.4 [0.25]	25 bar [362 psi]

NS in mm ["]	Dimensions in mm [in]					
	d ₆	F	H	b	b ₁	b ₂
63 [2]	69.7 [2.74]	102.1 [4.02]	136.9 [5.39]	26.95 [1.06]	74.75 [2.94]	38.39 [1.51]
80 [3]	83.5 [3.29]	108.95 [4.29]	150.7 [5.93]	26.2 [1.03]	74 [2.91]	37.64 [1.48]
100 [4]	106.9 [4.21]	120.65 [4.75]	174.1 [6.85]	26.83 [1.06]	74.63 [2.94]	38.27 [1.51]
130 [5]	134.1 [5.28]	134.25 [5.29]	201.3 [7.93]	26 [1.02]	73.8 [2.91]	37.36 [1.47]

Ordering information

Model / Nominal size / Connection location / Unit / Scale range / Process connection / Stem diameter / Insertion length l₁ / Approvals / Certificates / Options



© 07/2022 WIKA Alexander Wiegand SE & Co. KG, all rights reserved.
The specifications given in this document represent the state of engineering at the time of publishing.
We reserve the right to make modifications to the specifications and materials.
In case of a different interpretation of the translated and the English data sheet, the English wording shall prevail.

