

Hand-held indicator

For force measuring instruments with mV/V signal

Model FE630

WIKA data sheet FO 58.12

Applications

- Measuring and control systems
- Mobile indication
- Calibration service
- Data analysis using PC software

Special features

- Suitable for mV/V signals
- Indication of minimum, maximum and mean values
- Graphical representation of the measured value curve
- Integrated memory
- User-friendly menu navigation



Hand-held indicator, model FE630

Description

The model FE630 hand-held indicator is the ideal solution for precise force and weight measurements in mobile test equipment. It is especially suitable for mV/V signals and offers a mobile indication and data logger functionality. In combination with a load cell or a force transducer connected by cable, it enables reliable tests and calibration. Suitable instruments are, for example, model F1811, model F2808 or model F4802.

The model FE630 hand-held indicator features a high sampling rate, which makes it ideal for dynamic measurements. It reliably indicates the minimum, maximum and mean values of the measurements. The 2.8" LC display ensures a clear and easy-to-read indication, while the graphical representation visualises the curve of the measured values.

The integrated memory enables the data to be analysed using PC software. Thanks to its ergonomic design, the instrument sits comfortably in the hand and is easy to operate. The user-friendly menu navigation ensures intuitive operation. The model FE630 hand-held indicator also has an integrated rechargeable battery that can be conveniently charged via USB-C.

The hand-held indicator is an indispensable tool for anyone who needs precise and reliable measurements in mobile applications.

Specifications

Basic information	
Case	ABS plastic
Display	LC display
Display size	7.1 cm [2.8 in]
Units	g, kg, t, lb, N, kN, Pa, kPa, Nm, Ncm, lb ft
Functions	
Alarm function	Visual and audible on overrun and undercutting in window mode and in inverted window mode
Menu languages	German, English, French, Spanish, Italian, Dutch, Portuguese, Turkish, Polish, Russian, Chinese, Japanese, Danish
Memory	32 GB memory capacity, 30 x 1 million data points
Weight	255 g [0.56 lb]

Accuracy specifications / Repeatability	
Accuracy	0.05 % F_{nom}
Resolution	Up to 1/10,000

Input signals	
Input signals	mV/V
Sensor connection	Threaded connection M9, 5-pin
Communication	0.05 % F_{nom}
Interface	USB-C (for online measurements and for reading out the internal memory)
Sampling rate	1 ... 7,200 Hz

Voltage supply / Performance data	
Rechargeable battery	
Battery pack	Lithium-polymer rechargeable battery
Current supply	2,200 mAh
Reference conditions	Up to 13 h operating time
Auxiliary power	5 V / max. 100 mA
Current supply	<ul style="list-style-type: none"> ■ Internal: LiPo rechargeable battery (DC 7.4 V DC, 2,200 mAh) ■ External: USB (DC 5 V, 500 mA)

Electrical connection	
Connection type	Threaded connection M9, 5-pin

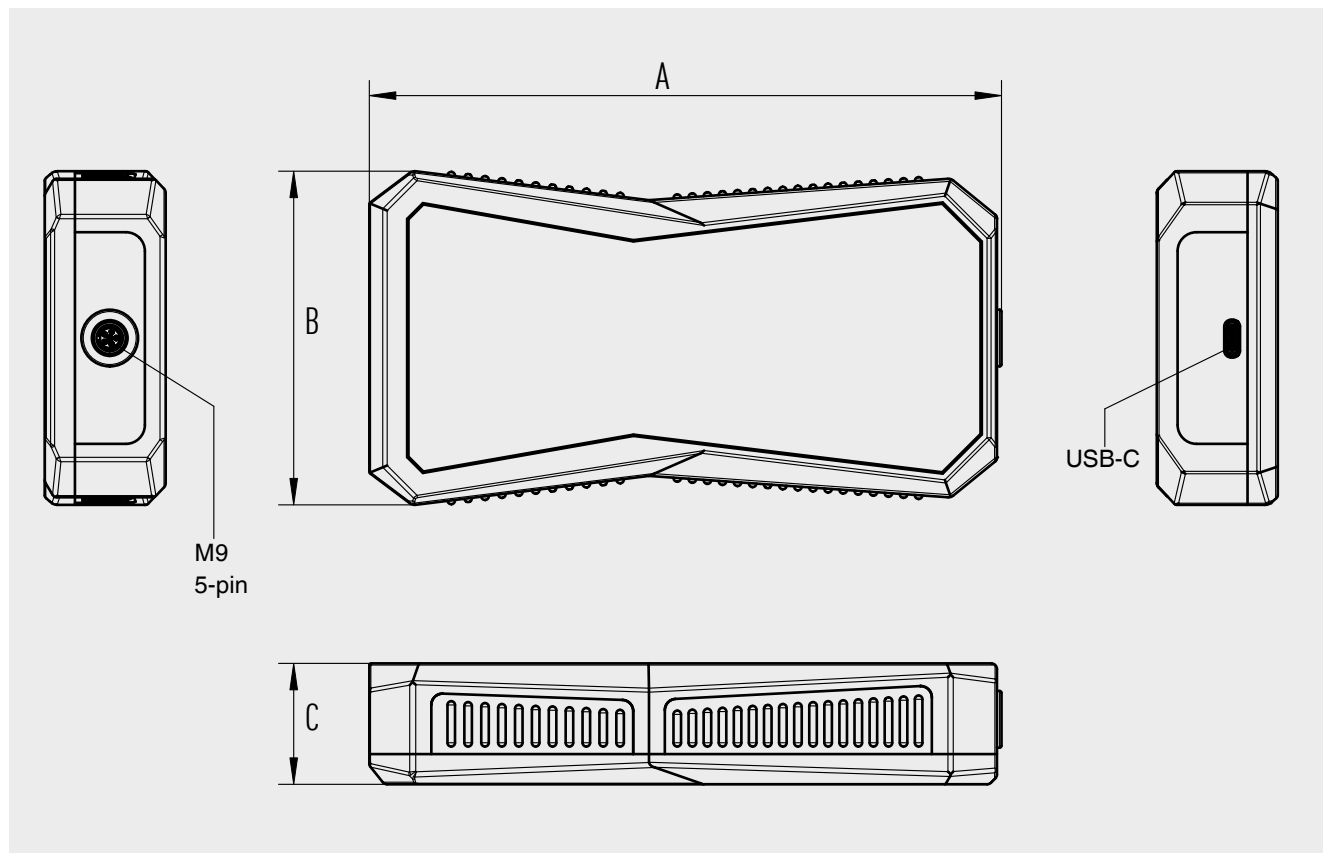
Operating conditions	
Place of use	Inside and outside of buildings
Ingress protection / IP code	IP52
Operating altitude	Up to 2,500 m [8,202 ft] above sea level
Operating temperature	-20 ... +65° C [-4 ... 149° F]
Storage temperature range	-20 ... +65° C [-4 ... 149° F]
Relative humidity, condensation	10 ... 95 % relative humidity (non-condensing)

Packaging	
Packaging	Universal case with foam lid inside: 272 x 193 x 75 mm [10.7 x 7.6 x 3 in]

Approvals

Logo	Description	Region
CE	EU declaration of conformity	European Union
	EMC Directive	
	EN 61326 emission (group 1, class A) and immunity (industrial environments)	
	RoHS directive	

Dimensions in mm [in]



Dimensions in mm [in]

A	B	C
165 [6.5]	85 [3.35]	32 [1.26]

Ordering information

To order the described product the order number 14785125 is sufficient.

© 06/2025 WIKA Alexander Wiegand SE & Co. KG, all rights reserved.
The specifications given in this document represent the state of engineering at the time of publishing.
We reserve the right to make modifications to the specifications and materials.
In case of a different interpretation of the translated and the English data sheet, the English wording shall prevail.



WIKA Alexander Wiegand SE & Co. KG
Alexander-Wiegand-Straße 30
63911 Klingenberg/Germany
Tel. +49 9372 132-0
info@wika.de
www.wika.de