

Temperature dry-well calibrator

Compact version

Model CTD9100-375

WIKA data sheet CT 41.32

Applications

- Testing and calibration of temperature measuring instruments
- Reference instrument for on-site laboratories for the calibration of thermometers
- Also suitable for on-site calibration

Special features

- High accuracy and stability
- Possibility to check temperature switches
- Low weight and compact design
- Simple operation



Temperature dry-well calibrator model CTD9100-375

Description

Versatile in application

Nowadays, fast and simple testing of thermometers is a “must” when it comes to the operational safety of machines and plants.

The portable calibrators of the CTD9100 family are particularly suited to local calibration tasks and extremely user-friendly. Due to their compact design and their low weight, the instruments can be taken and used almost anywhere. The CTD9100-375 in particular is characterised by its robust case design and compact dimensions.

The instrument concept brings together a stable heat source with precision Pt100 temperature measurement. This enables industrial temperature probes to be calibrated even more efficiently. Regular monitoring of temperature probes helps to recognise failures promptly and shorten downtimes.

Easy to use

The temperature dry-well calibrators of the CTD9100 series work with temperature-controlled metal blocks and interchangeable inserts.

The calibration temperature, adjusted simply using two keys on the controller, can be very quickly controlled. The set temperature of the heating block is displayed on a large, 4-line, high-contrast LED display. Thus reading errors are virtually eliminated.

Thermometers with different diameters can be fitted into the calibrator using inserts, drilled to suit. A new block design, with improved temperature homogeneity at the calibrator's lower range, leads to smaller measurement uncertainties.

Specifications

Basic information	
Temperature range	$T_{amb} \dots 375 \text{ °C}$ [$T_{amb} \dots 707 \text{ °F}$]
Accuracy	→ See table „Accuracy specifications“
Temperature stability ¹⁾	→ See table „Accuracy specifications“
Metal block	
Immersion depth	100 mm [3.94 in]
Insert dimensions	Ø 13 x 100 mm [Ø 0.51 x 3.94 in]
Dry-well material	Aluminium
Digital display	
Display indication	4 digit 7-segment LED display
Display range	0 ... 999.9
Resolution	0.1
Unit	°C
Communication	
Interface	RS-232
Weight	1.7 kg [3.8.1 lb]

1) Determined in accordance with current calibration guideline in a standard insert.

Accuracy specifications	
Temperature range	$T_{amb} \dots 375 \text{ °C}$ [$T_{amb} \dots 707 \text{ °F}$]
Accuracy ¹⁾	0.2 % v. MW; min. 0.5 K
Temperature stability ¹⁾	± 0.05 K to 100 °C [212 °F]
Temperature distribution ¹⁾	
Axial homogeneity	±0.25 K
Hysteresis	±0.1 K

1) Is defined as the measuring deviation between the measured value and the reference value.
 2) Maximum temperature difference at a stable temperature over 30 minutes.

Temperature control		
Heating time	6 min	From 20 °C to 300 °C [From 68 °F to 572 °F]
Cooling time	14 min	From 300 °C to 60 °C [From 572 °F to 140 °F]
Stabilisation time ¹⁾	Dependent on temperature and temperature probe	

1) Time before reaching a stable measuring value.

Voltage supply and performance data	
Operating voltage	<ul style="list-style-type: none"> ■ AC 230 V, 50/60 Hz ■ AC 110 V, 50/60 Hz
Power consumption	250 VA
Electrical safety	Overvoltage category (installation category) II, Pollution degree 2 in accordance with IEC-61010-1
Fuse	2 x Microfuse T3.15AL250V
Power cord	<ul style="list-style-type: none"> ■ For Europe ■ For USA/Canada ■ For Switzerland ■ For UK

Operating conditions	
Place of use	For indoor and outdoor use
Altitude	To 2,000 m [6,562 ft] above sea level
Operating temperature	0 ... 50 °C [32 ... 122 °F] The ambient temperature influences the heating/cooling behaviour
Storage and transport temperature range	-10 ... +60 °C [14 ... 140 °F]
Humidity	< 80 % relative humidity to 31 °C [88 °F] Decreasing linearly to 50 % relative humidity at 40 °C [104 °F]
Condensation	Non-condensing

Approvals

Logo	Description	Region
CE	EU declaration of conformity	European Union
	EMC Directive EN 61326 emission (group 1, class B) and immunity (industrial application)	
	Low Voltage Directive	
	RoHS directive	

Optional approvals

Logo	Description	Region
-	MChS Permission for commissioning	Kazakhstan

Certificates

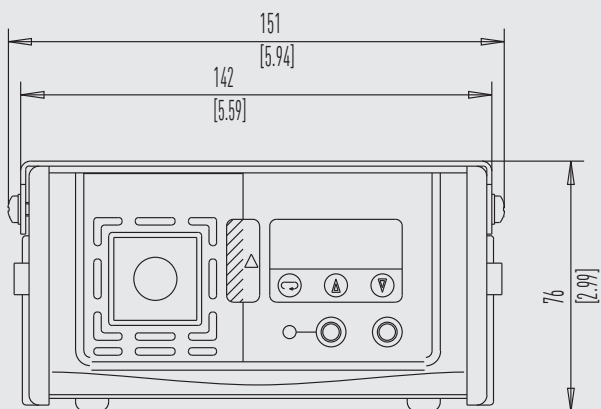
Certificates	
Calibration ¹⁾	<ul style="list-style-type: none"> ■ 3.1 inspection certificate per EN 10204 ■ DAkkS calibration certificate (traceable and accredited in accordance with ISO/IEC 17025)
Recommended calibration interval	1 year (dependent on conditions of use)

1) Calibration is carried out, as standard, at 6 temperatures evenly distributed over the temperature range. On request, special points are also possible.

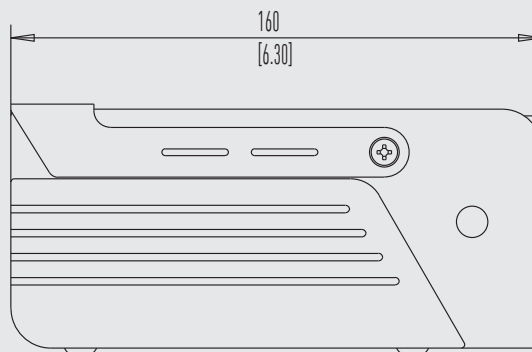
→ For approvals and certificates, see website

Dimensions in mm [in]

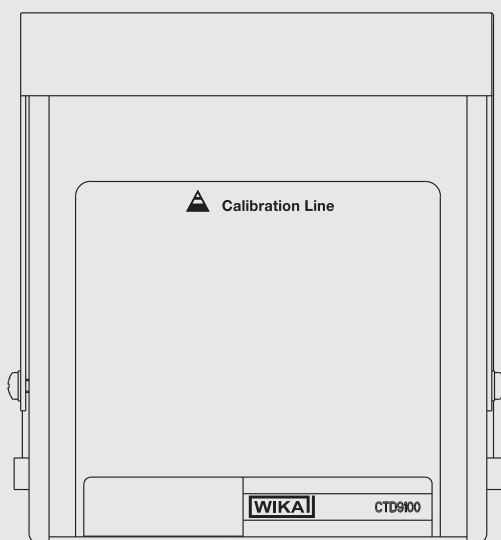
Front view



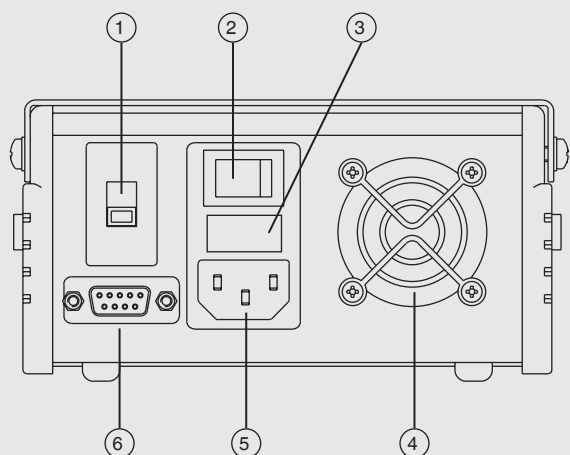
Left side view



Top view

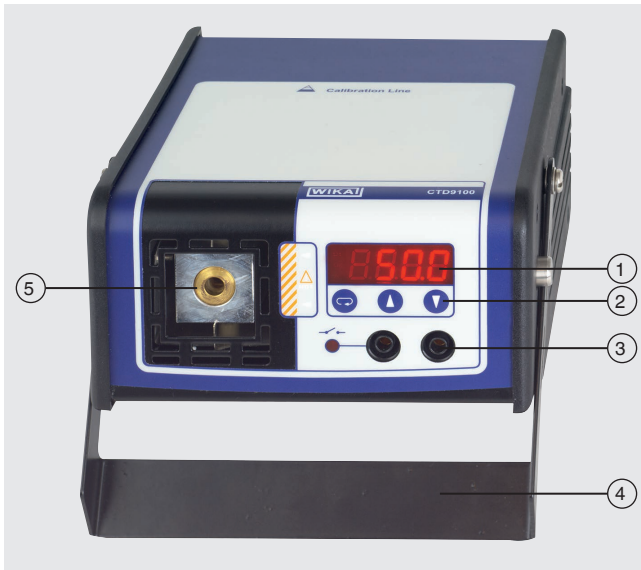


Rear view



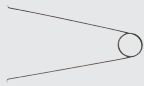

- ① Selection of the mains voltage
- ② ON/OFF switch
- ③ Fuse
- ④ Fan
- ⑤ Mains connection socket
- ⑥ RS-232 interface

Design and controls





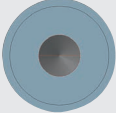


- ① Display
- ② Controls
- ③ Sockets for temperature switch test
- ④ Handle
- ⑤ Insert with opening for test item

Accessories and spare parts

Accessories		Order code
Description ¹⁾		CTX-A-K3
	Insert replacement tool	-RT-
-	Transport case	-TB-
	Power cord for EU	-EU-
	Netz Kabel for Switzerland	-CH-
	Netz Kabel for UK	-UK-
	Netz Kabel for USA/Canada	-US-
Ordering information for your enquiry:		
1. Order code: CTX-A-K3 2. Option:		↓ []

1) The figures are an example and may change depending on the state of the art in design, material composition and representation

Inserts		Order code
Description ¹⁾		CTA9I-1N
	Undrilled insert Dimensions: Ø 13 x 150 mm [Ø 0.51 x 3.94 in] Material: Brass 2.0375	-N-
	Drilled insert Dimensions: Ø 13 x 150 mm [Ø 0.51 x 3.94 in] Drilling depth: 95 mm [3.74 in] Material: Brass 2.0375	-
	For thermometers with diameters up to 2.7 mm [0.11 in] Bore diameter: 1 x 3 mm [1 x 0.12 in]	-3-

Inserts		Order code
Description ¹⁾		CTA9I-1N
	For thermometers with diameters up to 3.2 mm [0.13 in] Bore diameter: 1 x 3.5 mm [1 x 0.14 in]	-4-
	For thermometers with diameters up to 4.7 mm [0.19 in] Bore diameter: 1 x 5 mm [1 x 0.20 in]	-5-
	For thermometers with diameters up to 6.3 mm [0.25 in] Bore diameter: 1 x 6.5 mm [1 x 0.26 in]	-6-
	For thermometers with diameters up to 7.2 mm [0.28 in] Bore diameter: 1 x 7.5 mm [1 x 0.30 in]	-7-
	For thermometers with diameters up to 8.2 mm [0.32 in] Bore diameter: 1 x 8.5 mm [1 x 0.33 in]	-8-
	For thermometers with different diameters Bore diameter: 1 x 5.0 mm and 1 x 3.5 mm [1 x 0.20 in and 1 x 0.14 in]	-I-
	Bore diameter: 1 x 5.0 mm and 1 x 6.5 mm [1 x 0.20 in and 1 x 0.26 in]	-X-
	Bore diameter: 1 x 3.5 mm and 1 x 4.5 mm [1 x 0.14 in and 1 x 0.18 in]	-K-
	Bore diameter: 2 x 4.5 [2 x 0.18 in]	-L-
-	Customer-specific, special probes are possible on request.	-?-
Ordering information for your enquiry:		
1. Order code: CTA9I-1N		↓
2. Option:		[]

1) The figures are an example and may change depending on the state of the art in design, material composition and representation

Scope of delivery

- Temperature dry-well calibrator CTD9100-375
- Power cord, 1.5 m [5 ft] with safety plug
- Insert with bore 6.2 mm [0.24 in]
- Insert replacement tools
- Operating instructions
- Calibration certificate

Ordering information

Model / Certificate type / Transport case / Power cord / Further approvals / Additional ordering information

© 12/2009 WIKA Alexander Wiegand SE & Co. KG, all rights reserved.
The specifications given in this document represent the state of engineering at the time of publishing.
We reserve the right to make modifications to the specifications and materials.
In case of a different interpretation of the translated and the English data sheet, the English wording shall prevail.

