

Inclined tube manometer

For ventilation and air-conditioning

Model A2G-30

WIKA data sheet PM 07.41

Applications

- For dry, clean, non-aggressive gases, usually air
- Monitoring of ventilators, blowers and filters in air-conditioning and cleanroom applications

Special features

- Easy to install and remove
- Leakage protection
- Easy-to-read scale



Inclined tube manometer, model A2G-30

Description

The model A2G-30 inclined tube manometer has been specifically designed for ventilation and air-conditioning applications. The measuring instrument enables a clear and easy-to-read analogue display of the measured values.

The model A2G-30 inclined tube manometer is equipped with a reservoir for absorbing the volume expansion of the measuring liquid in case of a strong heating of the measuring liquid (e.g. when exposed to strong radiation from sunlight).

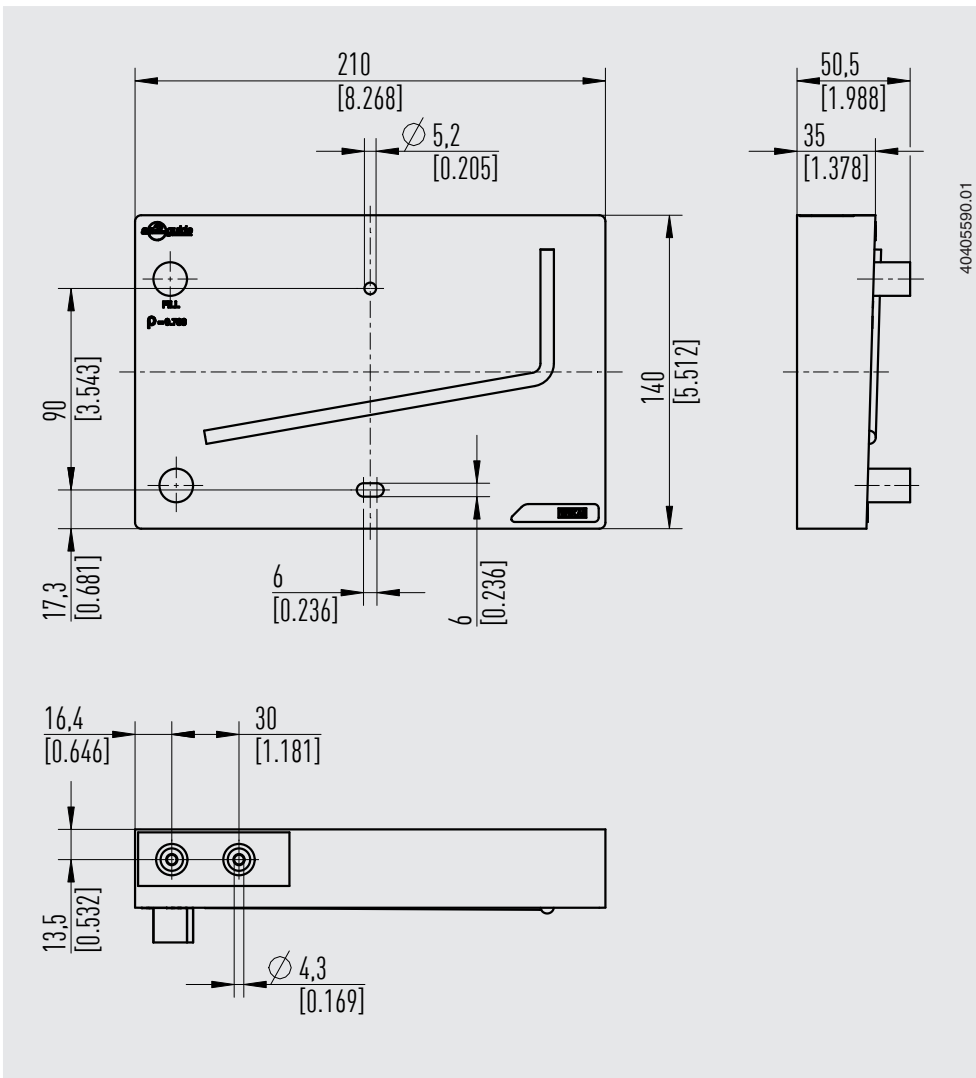
Via an operating button a zero point setting can be made.

Labels for marking the pressure limits are included in the delivery.

Specifications

Basic information	
Measuring range	<ul style="list-style-type: none"> ■ 0 ... 600 Pa ■ 0 ... 0.6 kPa ■ 0 ... 2.4 inWC ■ 0 ... 60 mmWC ■ 0 ... 6 mbar
Accuracy	<ul style="list-style-type: none"> ■ 0 ... 200 Pa ±5 Pa ■ 200 ... 600 Pa ±25 Pa
Maximum pressure	200 kPa (2 bar [29.01 psi])
Process connection	For hoses with inner diameter 4 mm [0.16 in]
Case	Plastic
Seal	NBR
Permissible temperature	-40 ... +60 °C [-40 ... +140 °F]

Dimensions in mm [in]





Certificates

Description	
Certificates	2.2 test report per EN 10204 (e.g. state-of-the-art manufacturing, material proof, indication accuracy)

→ For approvals and certificates, see website

Accessories

Model	Description	Order number
	Fill fluid 30 ml	40213714
	Label for marking the pressure limit	40213731

Scope of delivery

- Inclined tube manometer
- Mounting screws
- 30 ml fill fluid
- Red and green pressure limit labels

Ordering information

Model / Unit / Options

© 08/2008 WIKA Alexander Wiegand SE & Co. KG, all rights reserved.
The specifications given in this document represent the state of engineering at the time of publishing.
We reserve the right to make modifications to the specifications and materials.
In case of a different interpretation of the translated and the English data sheet, the English wording shall prevail.

